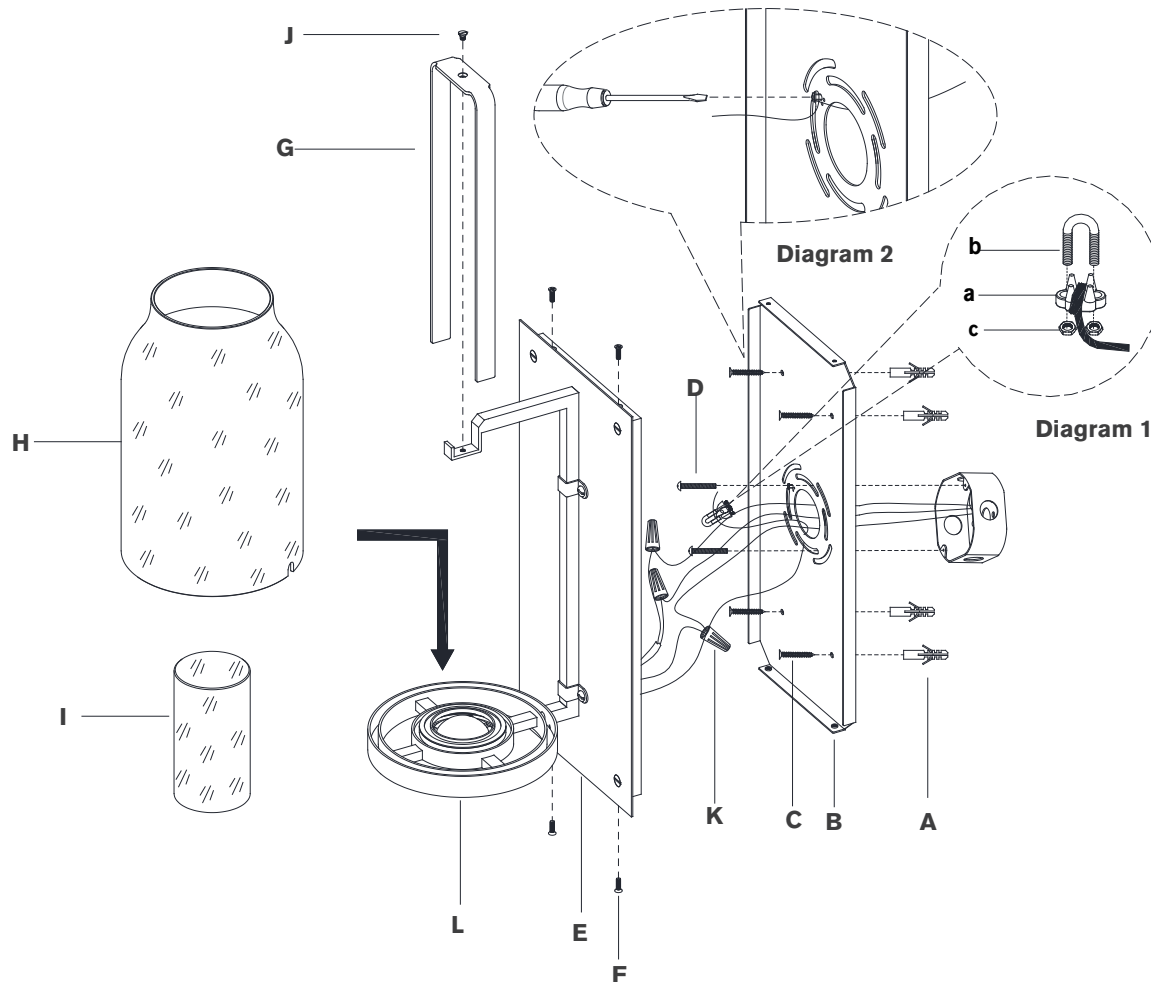


ASSEMBLY INSTRUCTIONS



Ollie Small Wall Lantern

Item # RL2810

NOTICE:

This light fixture should be installed in accordance with all applicable, local installation codes, and by a person familiar with the construction and operation of it, as well as the hazards involved. Inspect item and contents carefully. If any damage or defect is found, do not install. Retain all packaging material until installation is complete and approved.

TOOLS REQUIRED (NOT INCLUDED):

Phillips Screwdriver
Hammer

Slotted Screwdriver
Pencil

Drill

1. Carefully remove all parts from the box. Place on a clean, soft surface.
2. Remove mounting plate **(B)** from fixture body **(E)** by removing screws **(F)**.
3. Using the mounting plate **(B)** as a guide, line up with the junction box and mark anchor positions.
4. Using a drill bit slightly smaller than the anchor, drill holes in the marked positions. Install anchors **(A)** into the holes using hammer.
5. Install mounting plate **(B)** to junction box and secure with mounting screws **(D)**, then secure wood screws **(C)** to anchors **(A)**.
6. Run support through junction box and mounting plate **(B)**. Wrap the support cable around the saddle **(a)**, and secure with u-bolt **(b)** and hex nuts **(c)**. (See diagram 1)
7. Wrap fixture ground wire (bare copper) around the green grounding screw (see diagram 2). Tighten. Continue fixture ground wire and connect to supply ground wire (usually green or bare copper) using wire nut **(K)**.

NOTE: It is imperative that the fixture is grounded.

8. Connect fixture neutral wire (white) to the supply neutral wire (usually white) using wire nut **(K)**.
9. Connect fixture hot wire (black) to the supply hot wire (usually black) using wire nut **(K)**.

CAUTION: Do not reverse the hot and neutral connections.

RALPH LAUREN

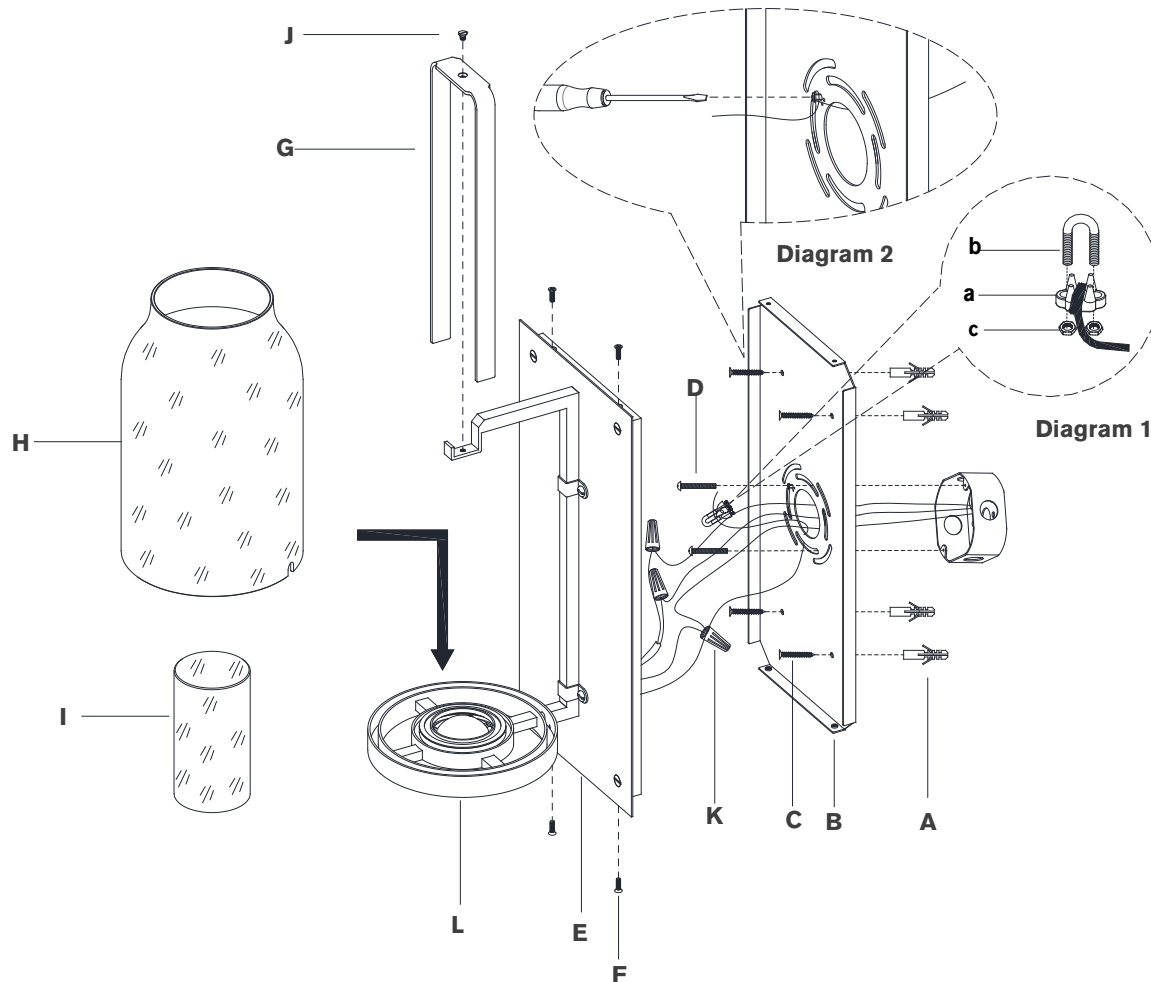
ASSEMBLY INSTRUCTIONS

Ollie Small Wall Lantern

Item # RL2810

NOTICE:

This light fixture should be installed in accordance with all applicable, local installation codes, and by a person familiar with the construction and operation of it, as well as the hazards involved. Inspect item and contents carefully. If any damage or defect is found, do not install. Retain all packaging material until installation is complete and approved.



10. Make sure all wire connections are tight, then carefully tuck into the junction box.

11. Install fixture body (E) to mounting plate (B) and secure with screws (F).

12. Remove U-bracket (G) from the arm, carefully thread glass (I) to the bottom of shade holder (L), then place glass (H) on shade holder (L), then attach U-bracket (G) to arm and secure with screw (J).

FOR OUTDOOR/WET LOCATION INSTALLATION:

13. Using silicon compound, apply a small bead where backplate meets the wall to prevent water from entering.

NOTE: Large gaps will need to be corrected before applying silicon compound.

Care Instructions: Clean only with a soft dry cloth or feather duster. Do not use abrasive or chemical agents.

RALPH LAUREN